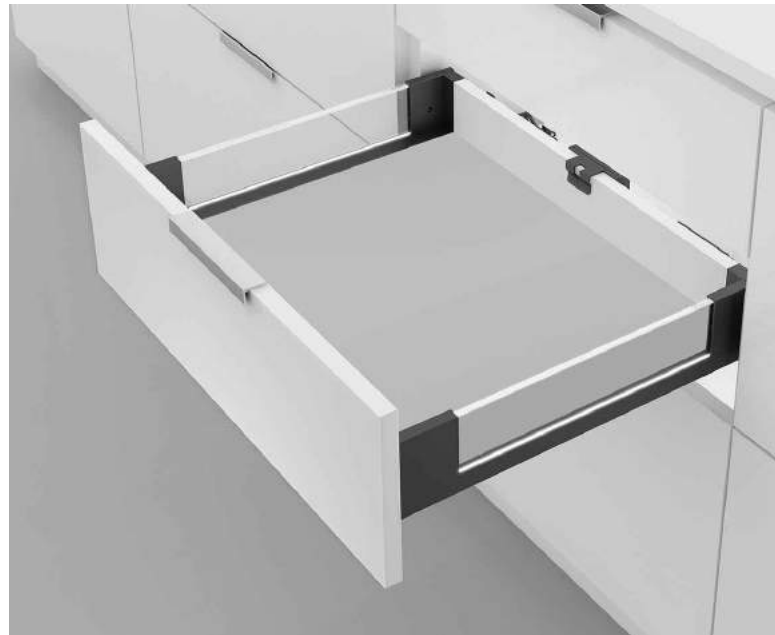
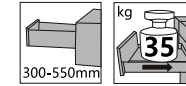


CBZ-DCG

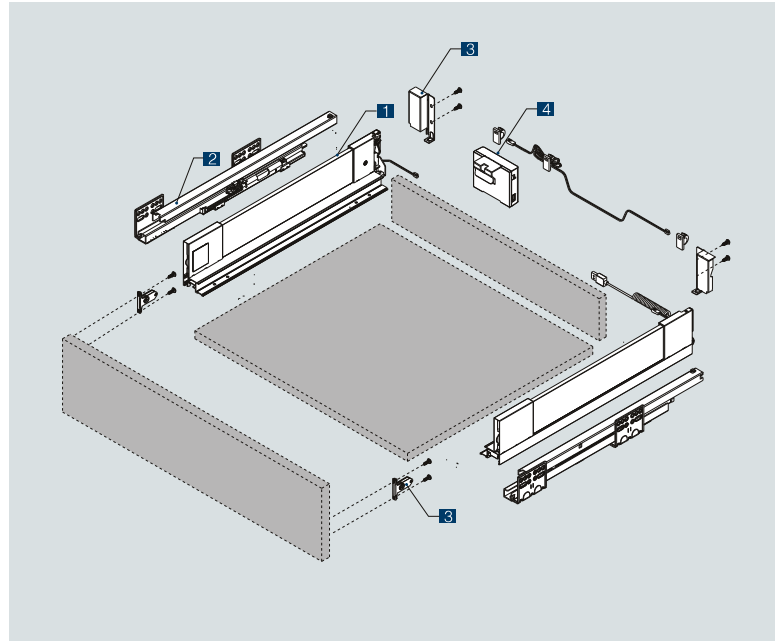
SLIM LUXURY DOUBLE WALL DRAWER WITH LED LIGHT

超薄豪华灯光玻璃骑马抽屉系列



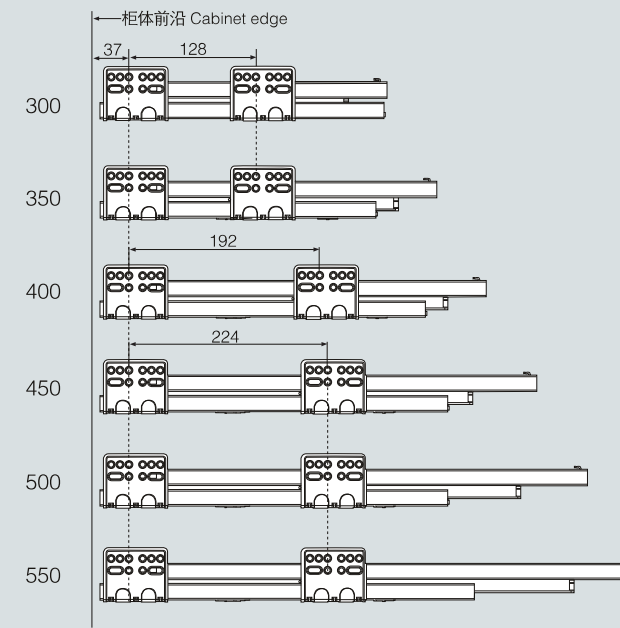
- 隐藏式全拉出缓冲抽屉
- 表面颜色: 灰色、白色、黑色及其它颜色
- 载重: 35kg
- 无需工具, 抽屉可快速安装和拆卸
- 静音系统, 滑轨运动顺畅
- 三维调节, 上下(可调 ± 2mm)、左右(可调 ± 1.5mm)方向, 面板倾斜调节
- 自闭功能, 平缓关闭, 抽屉关闭不受重量影响
- 长度: 300-550mm
- 针对面板无拉手的情形, 可选用内置反弹功能的CBZFT隐藏式反弹滑轨
- **侧板可选不配灯光系统**
- Soft close concealed full extension drawer
- Finish color: gray, white, black or various colors available
- Dynamic load capacity: 35kg
- Tool-free quick installation
- Quiet system can guarantee the slides run smoothly without noise
- 6-way adjustment: ± 2mm up and down, ± 1.5mm left and right, front panel tilt adjustment
- Soft-closing function make the drawer close safely without effect of weight
- Length: 300-550mm
- For the panel without handle, can choose the CBZFT concealed slide with built-in push-open function
- **Side panel optional without lighting system**

产品型号 Item No.	标称长度NL (mm) Nominal length	拉出长度 (mm) Travel length	最小柜深LT (mm) Min cabinet depth	包装 (套/箱) Packing (Set/Box)
CBZ84-300DCG	300	269	325	4
CBZ84-350DCG	350	319	375	4
CBZ84-400DCG	400	369	425	4
CBZ84-450DCG	450	419	475	4
CBZ84-500DCG	500	469	525	4
CBZ84-550DCG	550	519	575	4

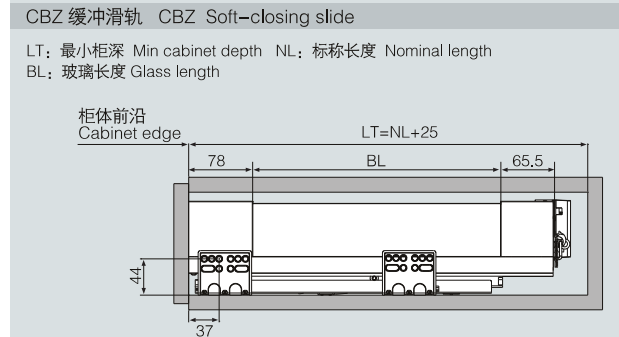


- 1 CBZ84-DCG 带灯玻璃侧板(左/右)+装饰盖 1付
CBZ84-DCG Glass side board with led light (L/R)+Cover 1Pair
可选配DCG带灯透明玻璃 / DCGT带灯超白玻璃 / CG透明玻璃 / CGT超白玻璃
Optional DCG illuminated clear glass / DCGT illuminated ultra-clear glass / CG clear glass / CGT ultra-clear glass
- 2 滑轨(左/右) 1付 (可选CBZ缓冲滑轨或CBZFT反弹滑轨)
Slides (L/R) 1Pair (Optional CBZ soft-closing slide or CBZFT Push-open slide)
- 3 CBZ84 配件包(左/右) 1付
CBZ84 Fitting bag (L/R) 1Pair
- 4 CBZ 电源配件包
CBZ Power fitting bag
侧板为DCG带灯透明玻璃或DCGT带灯超白玻璃配置电源包
Side panel with DCG DCG illuminated clear glass or DCGT illuminated ultra-clear glass come with power pack

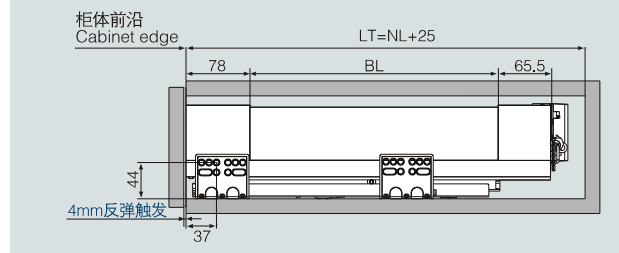
柜体滑轨安装孔尺寸 Hole pattern



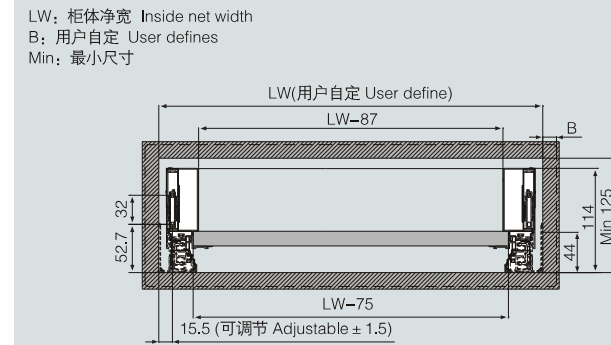
滑轨安装尺寸 Installation size



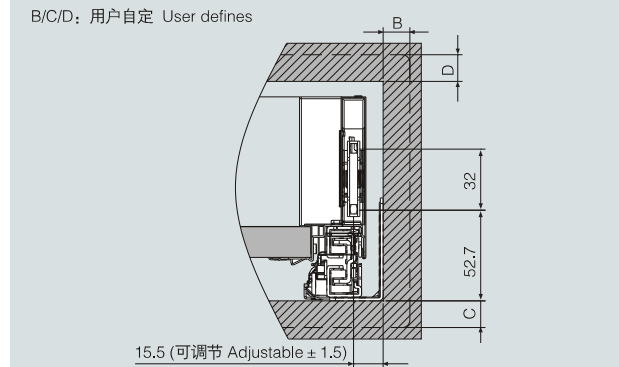
CBZFT 反弹滑轨 CBZFT Push-open slide



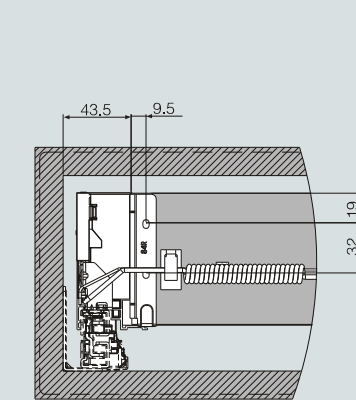
柜体所需空间 Space required



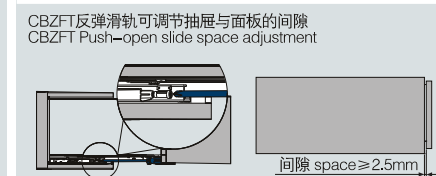
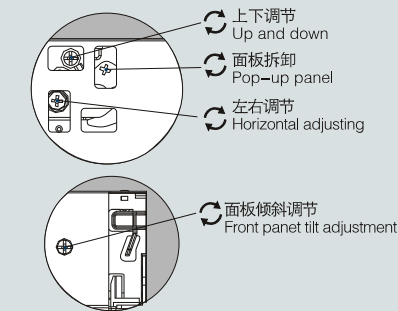
前接码面板安装尺寸 Connectors front panel dimensions



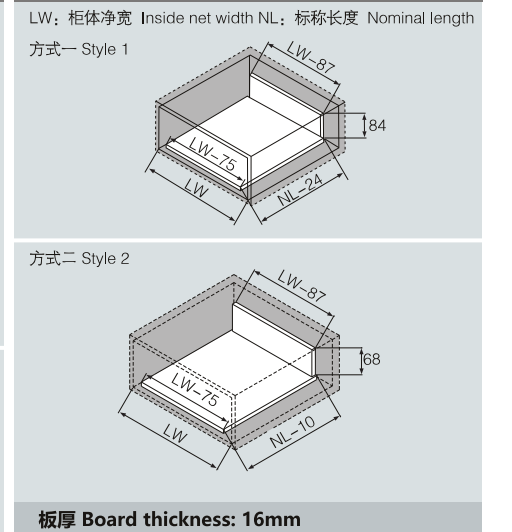
背板安装尺寸 Rear panel dimensions



调节机构 Adjustment mechanism



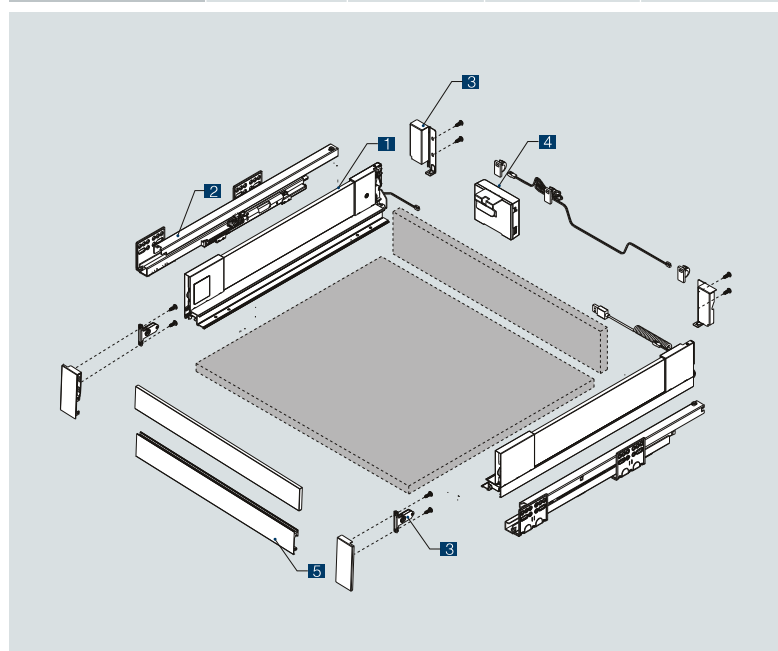
抽屉木板尺寸 Drawer board dimensions



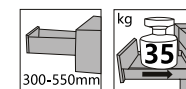


- 隐藏式全拉出缓冲抽屉
 - 表面颜色: 灰色、白色、黑色及其它颜色
 - 载重: 35kg
 - 无需工具, 抽屉可快速安装和拆卸
 - 静音系统, 滑轨运动顺畅
 - 三维调节, 上下(可调 ± 2mm)、左右(可调 ± 1.5mm)方向, 面板倾斜调节
 - 自闭功能, 平缓关闭, 抽屉关闭不受重量影响
 - 长度: 300-550mm
 - 针对面板无拉手的情形, 可选用内置反弹功能的CBZFT隐藏式反弹滑轨
 - **侧板可选不配灯光系统**
- Soft close concealed full extension drawer
 - Finish color: gray, white, black or various colors available
 - Dynamic load capacity: 35kg
 - Tool-free quick installation
 - Quiet system can guarantee the slides run smoothly without noise
 - 6-way adjustment: ± 2mm up and down, ± 1.5mm left and right, front panel tilt adjustment
 - Soft-closing function make the drawer close safely without effect of weight
 - Length: 300-550mm
 - For the panel without handle, can choose the CBZFT concealed slide with built-in push-open function
 - **Side panel optional without lighting system**

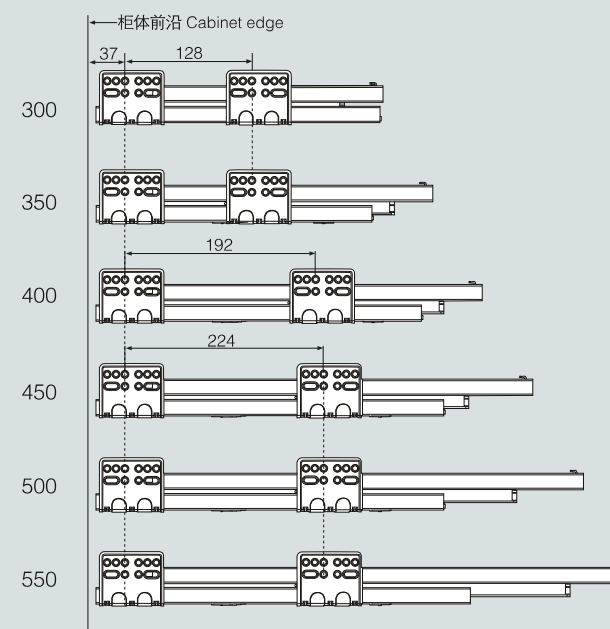
产品型号 Item No.	标称长度NL (mm) Nominal length	拉出长度 (mm) Travel length	最小柜深LT (mm) Min cabinet depth	包装 (套/箱) Packing (Set/Box)
CBZ84N-300DCG	300	269	325	4
CBZ84N-350DCG	350	319	375	4
CBZ84N-400DCG	400	369	425	4
CBZ84N-450DCG	450	419	475	4
CBZ84N-500DCG	500	469	525	4
CBZ84N-550DCG	550	519	575	4



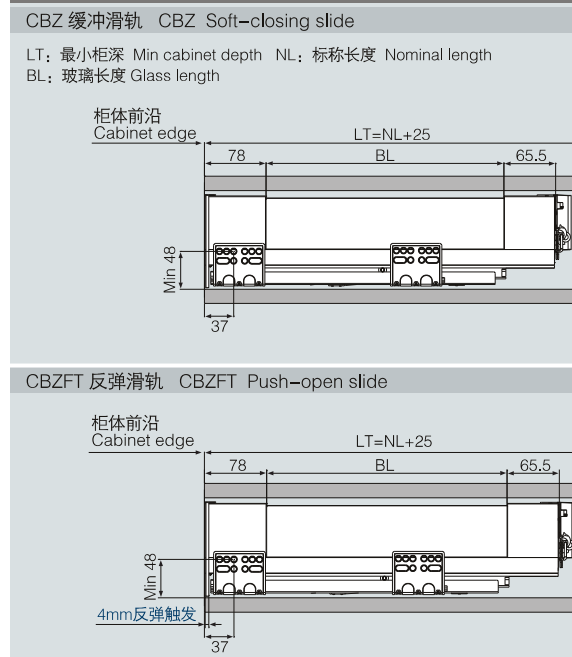
- CBZ84-DCG 带灯玻璃侧板(左/右)+装饰盖 1付
CBZ84-DCG Glass side board with led light (L/R)+Cover 1Pair
可选配DCG带灯透明玻璃 / DCGT带灯超白玻璃 / CG透明玻璃 / CGT超白玻璃
Optional DCG illuminated clear glass / DCGT illuminated ultra-clear glass / CG clear glass / CGT ultra-clear glass
- 滑轨(左/右) 1付 (可选CBZ缓冲滑轨或CBZFT反弹滑轨)
Slides (L/R) 1Pair (Optional CBZ soft-closing slide or CBZFT Push-open slide)
- CBZ84 配件包(左/右) 1付
CBZ84 Fitting bag (L/R) 1Pair
- CBZ 电源配件包
CBZ Power fitting bag
侧板为DCG带灯透明玻璃或DCGT带灯超白玻璃配置电源包
Side panel with DCG DCG illuminated clear glass or DCGT illuminated ultra-clear glass come with power pack
- CBZ84 玻璃面板连接组件
CBZ84 Glass front panel connectors 1Set



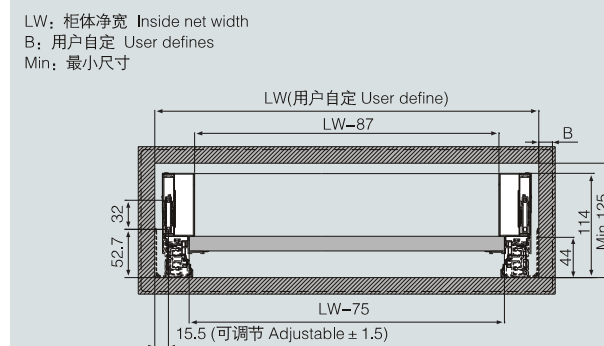
柜体滑轨安装孔尺寸 Hole pattern



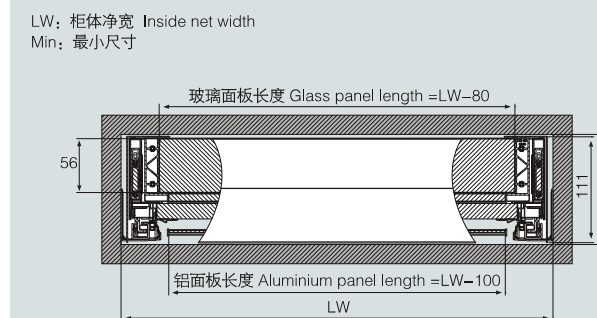
滑轨安装尺寸 Installation size



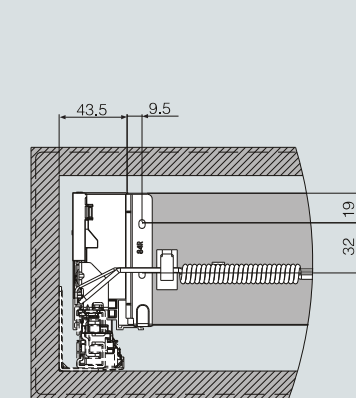
柜体所需空间 Space required



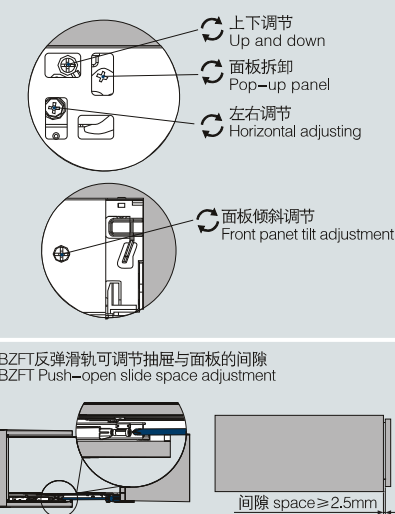
玻璃面板装配示意 Glass front panel assembly



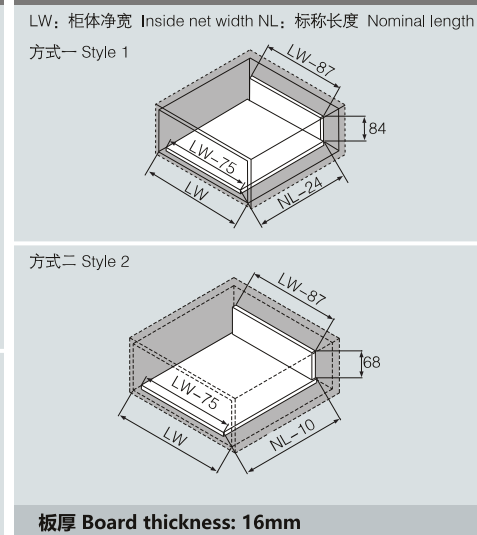
背板安装尺寸 Rear panel dimensions

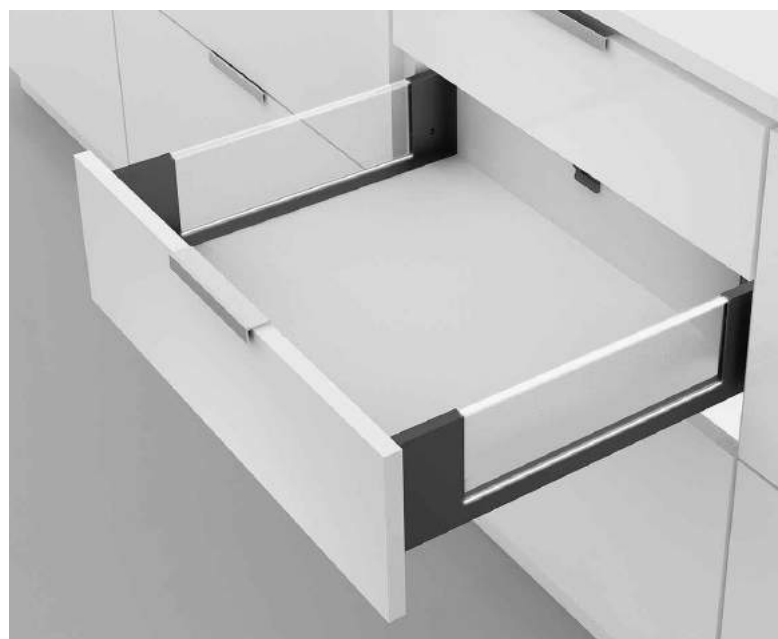


调节机构 Adjustment mechanism



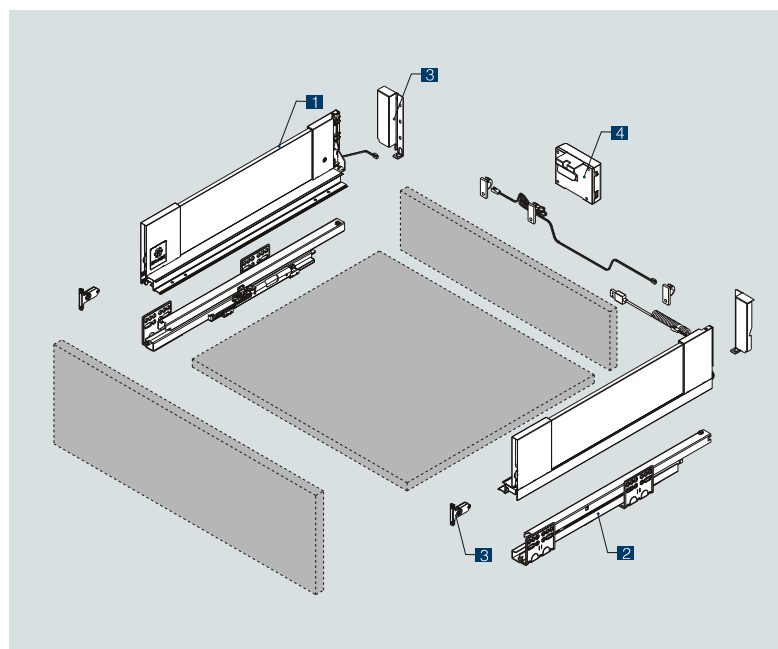
抽屉木板尺寸 Drawer board dimensions



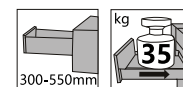


- 隐藏式全拉出缓冲抽屉
 - 表面颜色: 灰色、白色、黑色及其它颜色
 - 载重: 35kg
 - 无需工具, 抽屉可快速安装和拆卸
 - 静音系统, 滑轨运动顺畅
 - 三维调节, 上下(可调 ± 2mm)、左右(可调 ± 1.5mm)方向, 面板倾斜调节
 - 自闭功能, 平缓关闭, 抽屉关闭不受重量影响
 - 长度: 300-550mm
 - 针对面板无拉手的情形, 可选用内置反弹功能的CBZFT隐藏式反弹滑轨
 - **侧板可选不配灯光系统**
- Soft close concealed full extension drawer
 - Finish color: gray, white, black or various colors available
 - Dynamic load capacity: 35kg
 - Tool-free quick installation
 - Quiet system can guarantee the slides run smoothly without noise
 - 6-way adjustment: ± 2mm up and down, ± 1.5mm left and right, front panel tilt adjustment
 - Soft-closing function make the drawer close safely without effect of weight
 - Length: 300-550mm
 - For the panel without handle, can choose the CBZFT concealed slide with built-in push-open function
 - **Side panel optional without lighting system**

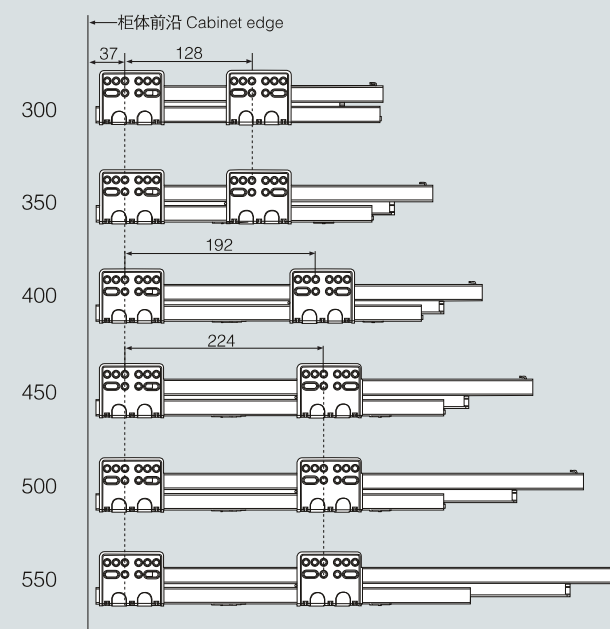
产品型号 Item No.	标称长度NL (mm) Nominal length	拉出长度 (mm) Travel length	最小柜深LT (mm) Min cabinet depth	包装(套/箱) Packing (Set/Box)
CBZ116-300DCG	300	269	325	4
CBZ116-350DCG	350	319	375	4
CBZ116-400DCG	400	369	425	4
CBZ116-450DCG	450	419	475	4
CBZ116-500DCG	500	469	525	4
CBZ116-550DCG	550	519	575	4



- CBZ116-DCG 带灯玻璃侧板(左/右)+装饰盖 1付
CBZ116-DCG Glass side board with led light (L/R)+Cover 1Pair
可选配DCG带灯透明玻璃 / DCGT带灯超白玻璃 / CG透明玻璃 / CGT超白玻璃
Optional DCG illuminated clear glass / DCGT illuminated ultra-clear glass / CG clear glass / CGT ultra-clear glass
- 滑轨(左/右) 1付 (可选CBZ缓冲滑轨或CBZFT反弹滑轨)
Slides (L/R) 1Pair (Optional CBZ soft-closing slide or CBZFT Push-open slide)
- CBZ116 配件包(左/右) 1付
CBZ116 Fitting bag (L/R) 1Pair
- CBZ 电源配件包
CBZ Power fitting bag
侧板为DCG带灯透明玻璃或DCGT带灯超白玻璃配置电源包
Side panel with DCG DCG illuminated clear glass or DCGT illuminated ultra-clear glass come with power pack



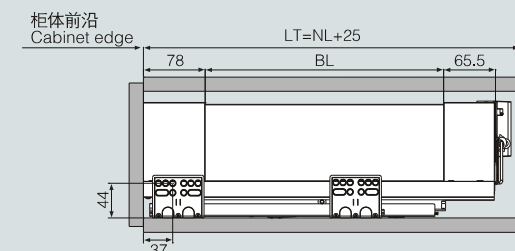
柜体滑轨安装孔尺寸 Hole pattern



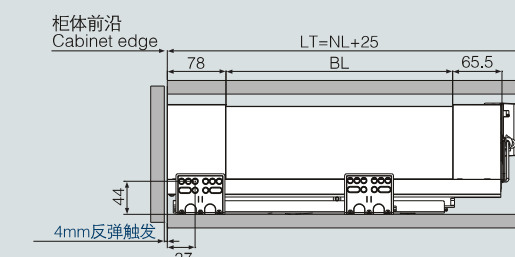
滑轨安装尺寸 Installation size

CBZ 缓冲滑轨 CBZ Soft-closing slide

LT: 最小柜深 Min cabinet depth NL: 标称长度 Nominal length
BL: 玻璃长度 Glass length

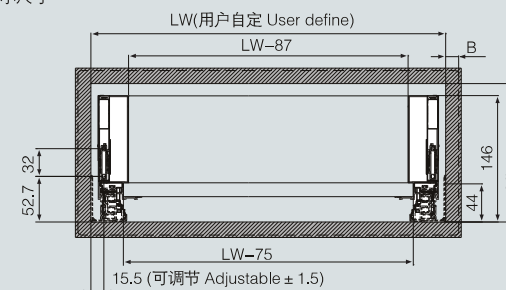


CBZFT 反弹滑轨 CBZFT Push-open slide



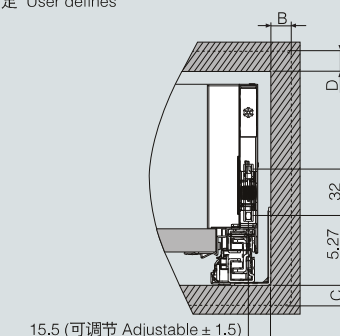
柜体所需空间 Space required

LW: 柜体净宽 Inside net width
B: 用户自定 User defines
Min: 最小尺寸

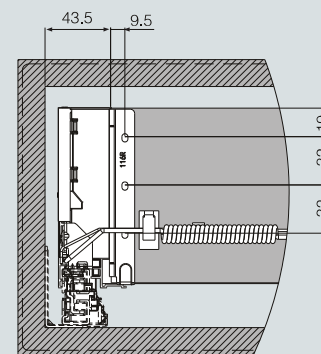


前接码面板安装尺寸 Connectors front panel dimensions

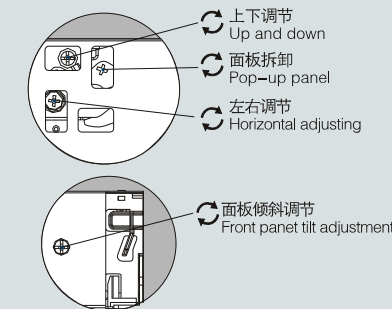
B/C/D: 用户自定 User defines



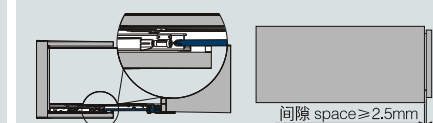
背板安装尺寸 Rear panel dimensions



调节机构 Adjustment mechanism



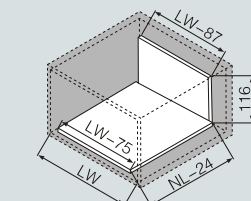
CBZFT 反弹滑轨可调节抽屉与面板的间隙
CBZFT Push-open slide space adjustment



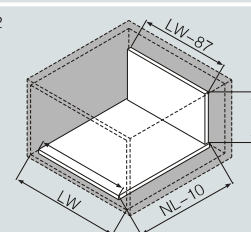
抽屉木板尺寸 Drawer board dimensions

LW: 柜体净宽 Inside net width NL: 标称长度 Nominal length

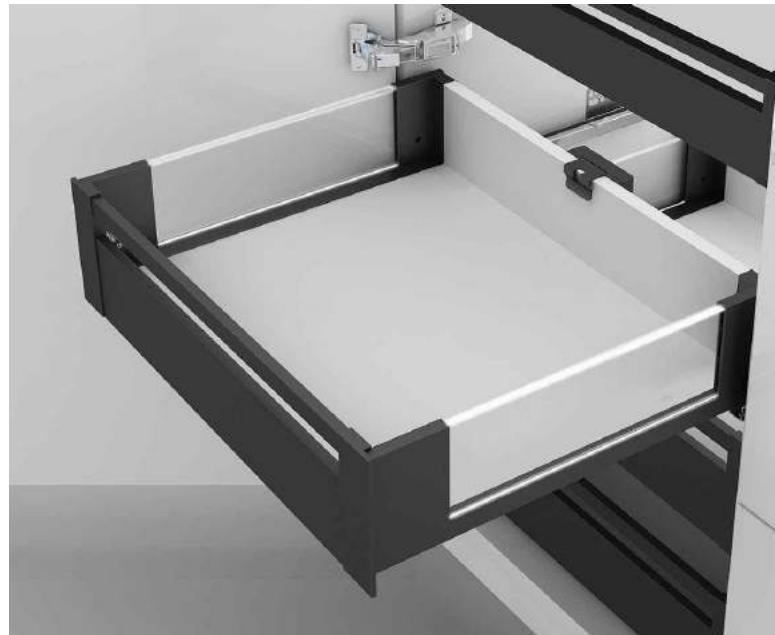
方式一 Style 1



方式二 Style 2

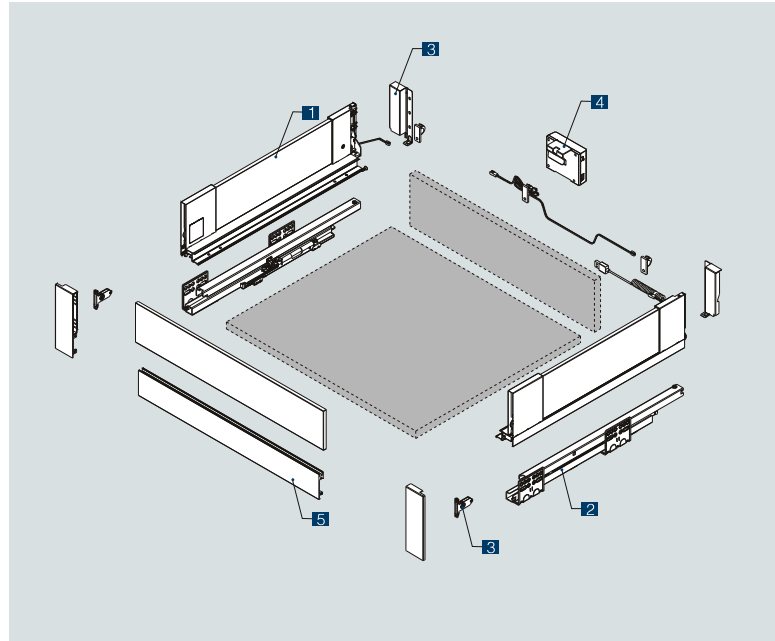


板厚 Board thickness: 16mm

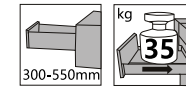


- 隐藏式全拉出缓冲抽屉
 - 表面颜色: 灰色、白色、黑色及其它颜色
 - 载重: 35kg
 - 无需工具, 抽屉可快速安装和拆卸
 - 静音系统, 滑轨运动顺畅
 - 三维调节, 上下(可调 ± 2mm)、左右(可调 ± 1.5mm)方向, 面板倾斜调节
 - 自闭功能, 平缓关闭, 抽屉关闭不受重量影响
 - 长度: 300-550mm
 - 针对面板无拉手的情形, 可选用内置反弹功能的CBZFT隐藏式反弹滑轨
 - **侧板可选不配灯光系统**
- Soft close concealed full extension drawer
 - Finish color: gray, white, black or various colors available
 - Dynamic load capacity: 35kg
 - Tool-free quick installation
 - Quiet system can guarantee the slides run smoothly without noise
 - 6-way adjustment: ± 2mm up and down, ± 1.5mm left and right, front panel tilt adjustment
 - Soft-closing function make the drawer close safely without effect of weight
 - Length: 300-550mm
 - For the panel without handle, can choose the CBZFT concealed slide with built-in push-open function
 - **Side panel optional without lighting system**

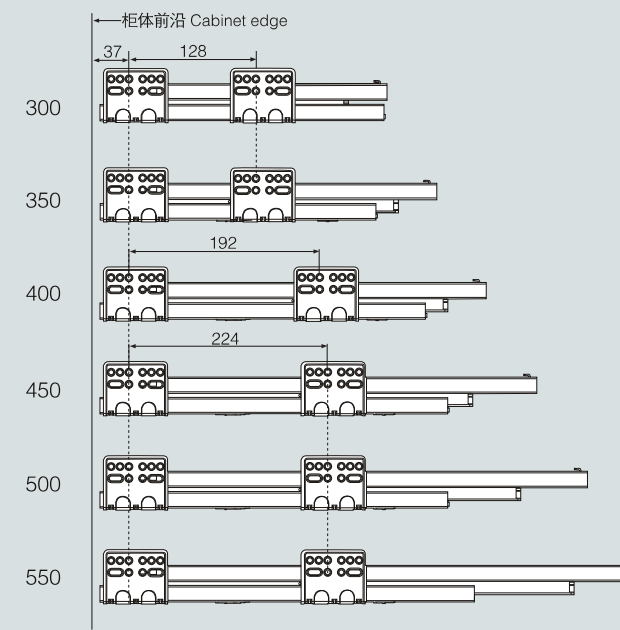
产品型号 Item No.	标称长度NL (mm) Nominal length	拉出长度 (mm) Travel length	最小柜深LT (mm) Min cabinet depth	包装 (套/箱) Packing (Set/Box)
CBZ116N-300DCG	300	269	325	4
CBZ116N-350DCG	350	319	375	4
CBZ116N-400DCG	400	369	425	4
CBZ116N-450DCG	450	419	475	4
CBZ116N-500DCG	500	469	525	4
CBZ116N-550DCG	550	519	575	4



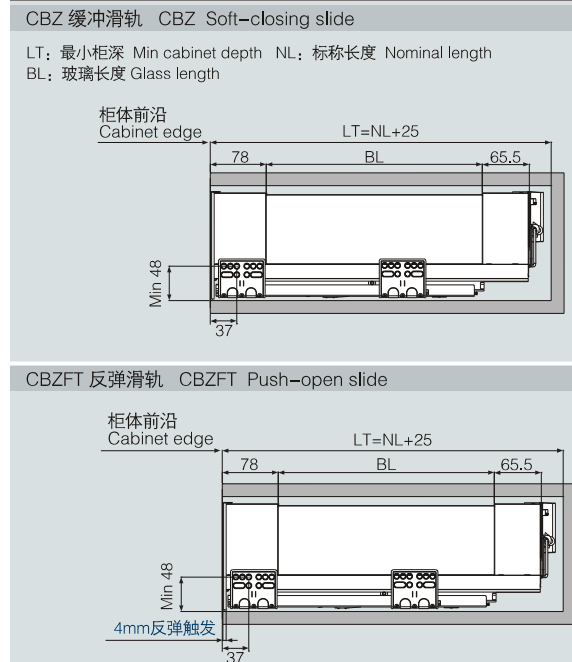
- CBZ116-DCG 带灯玻璃侧板(左/右)+装饰盖 1付
CBZ116-DCG Glass side board with led light (L/R)+Cover 1Pair
可选配DCG带灯透明玻璃 / DCGT带灯超白玻璃 / CG透明玻璃 / CGT超白玻璃
Optional DCG illuminated clear glass / DCGT illuminated ultra-clear glass / CG clear glass / CGT ultra-clear glass
- 滑轨(左/右) 1付(可选CBZ缓冲滑轨或CBZFT反弹滑轨)
Slides (L/R) 1Pair (Optional CBZ soft-closing slide or CBZFT Push-open slide)
- CBZ116 配件包(左/右) 1付
CBZ116 Fitting bag (L/R) 1Pair
- CBZ 电源配件包
CBZ Power fitting bag
侧板为DCG带灯透明玻璃或DCGT带灯超白玻璃配置电源包
Side panel with DCG DCG illuminated clear glass or DCGT illuminated ultra-clear glass come with power pack
- CBZ116 玻璃面板连接组件
CBZ116 Glass front panel connectors 1Set



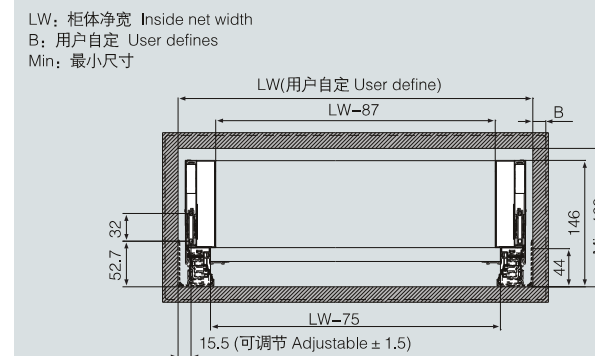
柜体滑轨安装孔尺寸 Hole pattern



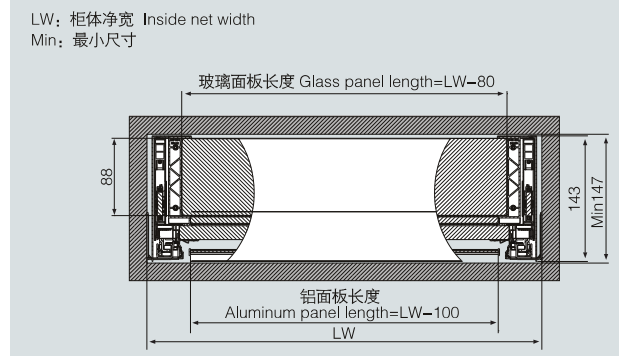
滑轨安装尺寸 Installation size



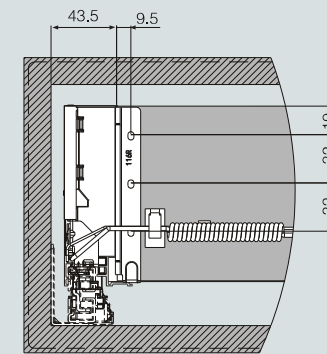
柜体所需空间 Space required



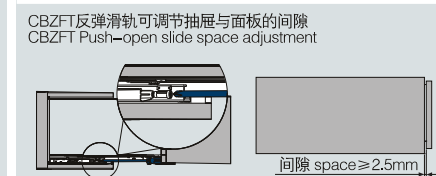
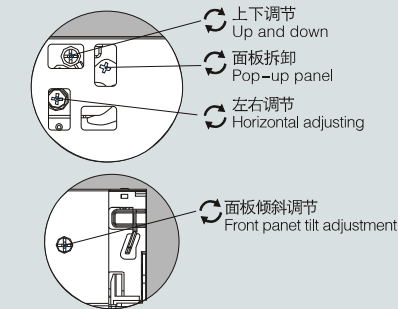
玻璃面板装配示意 Glass front panel assembly



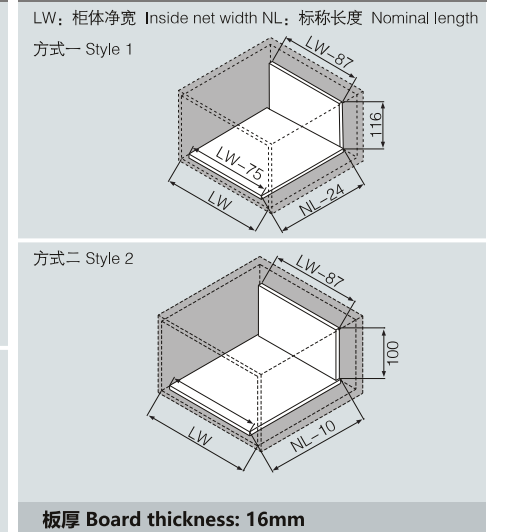
背板安装尺寸 Rear panel dimensions

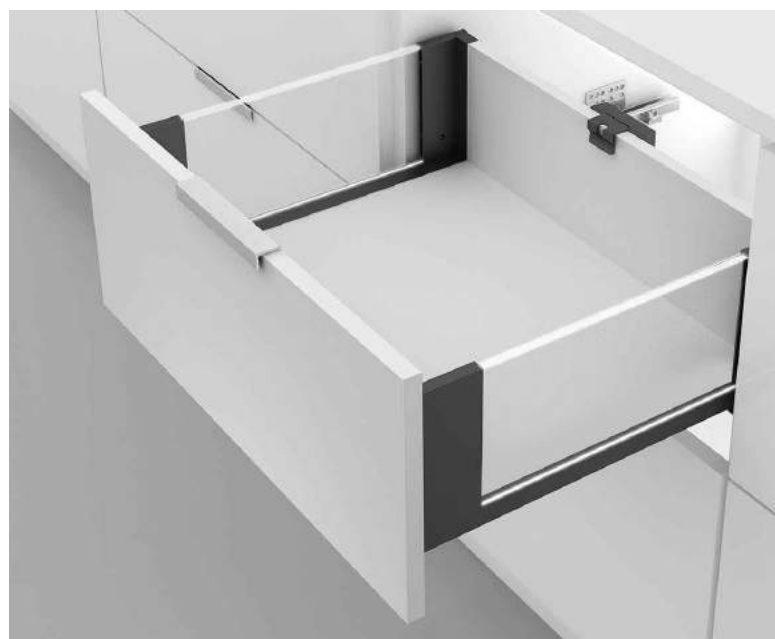
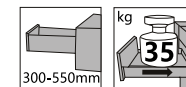


调节机构 Adjustment mechanism



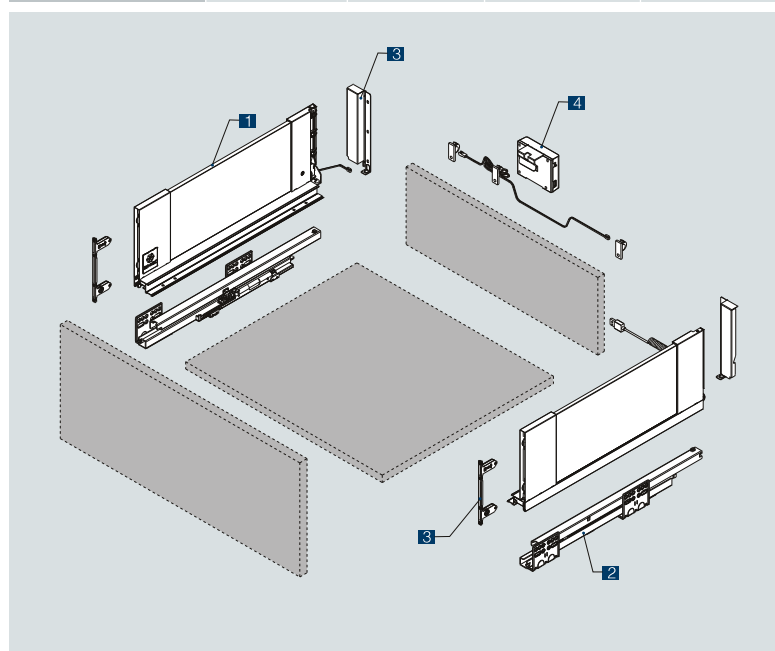
抽屉木板尺寸 Drawer board dimensions





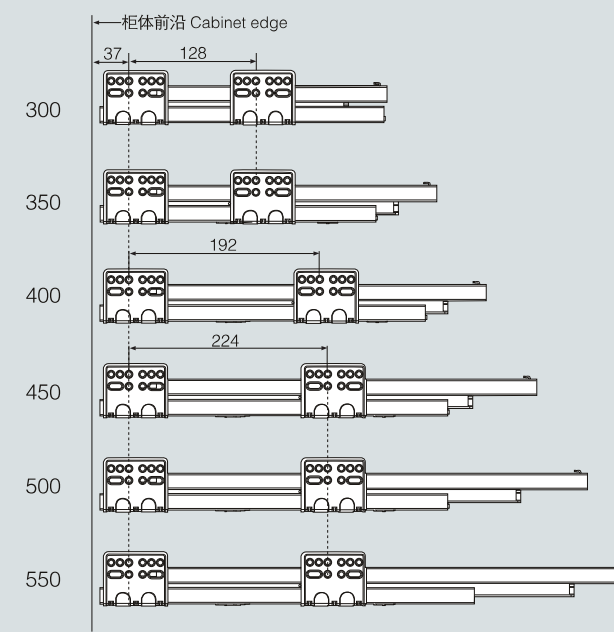
- 隐藏式全拉出缓冲抽屉
- 表面颜色: 灰色、白色、黑色及其它颜色
- 载重: 35kg
- 无需工具, 抽屉可快速安装和拆卸
- 静音系统, 滑轨运动顺畅
- 三维调节, 上下(可调 ± 2mm)、左右(可调 ± 1.5mm)方向, 面板倾斜调节
- 自闭功能, 平缓关闭, 抽屉关闭不受重量影响
- 长度: 300-550mm
- 针对面板无拉手的情形, 可选用内置反弹功能的CBZFT隐藏式反弹滑轨
- **侧板可选不配灯光系统**
- Soft close concealed full extension drawer
- Finish color: gray, white, black or various colors available
- Dynamic load capacity: 35kg
- Tool-free quick installation
- Quiet system can guarantee the slides run smoothly without noise
- 6-way adjustment: ± 2mm up and down, ± 1.5mm left and right, front panel tilt adjustment
- Soft-closing function make the drawer close safely without effect of weight
- Length: 300-550mm
- For the panel without handle, can choose the CBZFT concealed slide with built-in push-open function
- **Side panel optional without lighting system**

产品型号 Item No.	标称长度NL (mm) Nominal length	拉出长度 (mm) Travel length	最小柜深LT (mm) Min cabinet depth	包装 (套/箱) Packing (Set/Box)
CBZ167-300DCG	300	269	325	4
CBZ167-350DCG	350	319	375	4
CBZ167-400DCG	400	369	425	4
CBZ167-450DCG	450	419	475	4
CBZ167-500DCG	500	469	525	4
CBZ167-550DCG	550	519	575	4



1. CBZ167-DCG 带灯玻璃侧板(左/右)+装饰盖 1付
CBZ167-DCG Glass side board with led light (L/R)+Cover 1Pair
可选配DCG带灯透明玻璃 / DCGT带灯超白玻璃 / CG透明玻璃 / CGT超白玻璃
Optional DCG illuminated clear glass / DCGT illuminated ultra-clear glass / CG clear glass / CGT ultra-clear glass
2. 滑轨(左/右) 1付 (可选CBZ缓冲滑轨或CBZFT反弹滑轨)
Slides (L/R) 1Pair (Optional CBZ soft-closing slide or CBZFT Push-open slide)
3. CBZ167 配件包(左/右) 1付
CBZ167 Fitting bag (L/R) 1Pair
4. CBZ 电源配件包
CBZ Power fitting bag
侧板为DCG带灯透明玻璃或DCGT带灯超白玻璃配置电源包
Side panel with DCG DCG illuminated clear glass or DCGT illuminated ultra-clear glass come with power pack

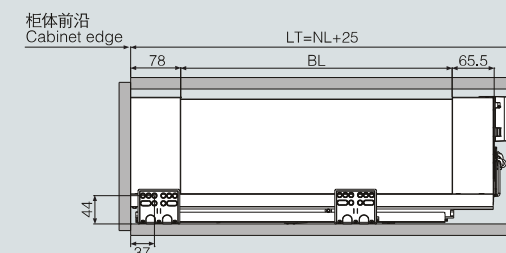
柜体滑轨安装孔尺寸 Hole pattern



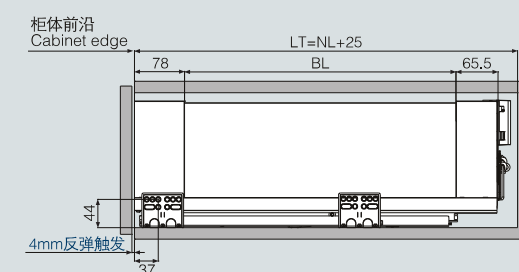
滑轨安装尺寸 Installation size

CBZ 缓冲滑轨 CBZ Soft-closing slide

LT: 最小柜深 Min cabinet depth NL: 标称长度 Nominal length
BL: 玻璃长度 Glass length

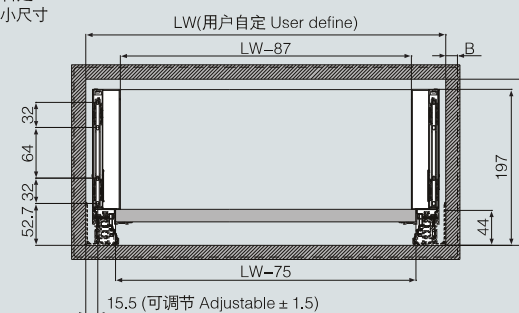


CBZFT 反弹滑轨 CBZFT Push-open slide



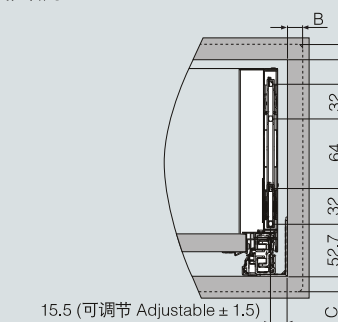
柜体所需空间 Space required

LW: 柜体净宽 Inside net width
B: 用户自定 User defines
Min: 最小尺寸

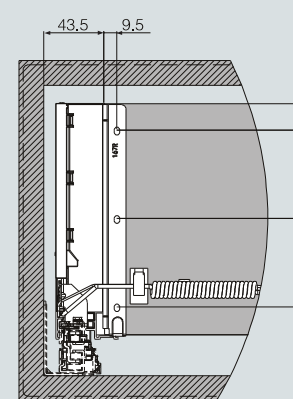


前接码面板安装尺寸 Connectors front panel dimensions

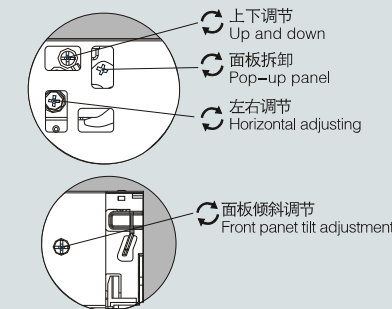
B/C/D: 用户自定 User defines



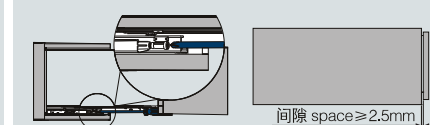
背板安装尺寸 Rear panel dimensions



调节机构 Adjustment mechanism



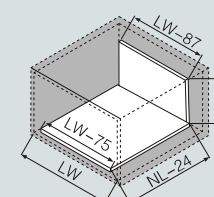
CBZFT 反弹滑轨可调节抽屉与面板的间隙
CBZFT Push-open slide space adjustment



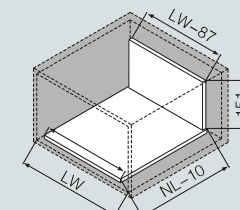
抽屉木板尺寸 Drawer board dimensions

LW: 柜体净宽 Inside net width NL: 标称长度 Nominal length

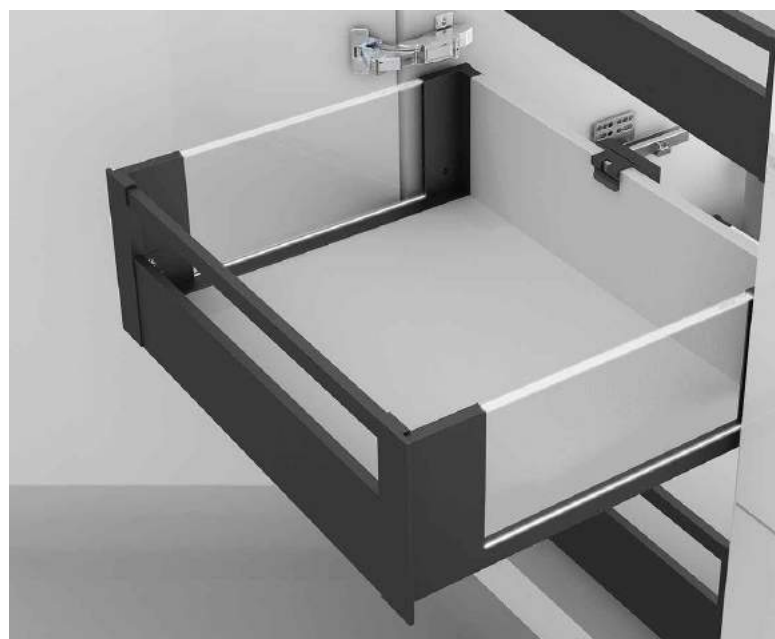
方式一 Style 1



方式二 Style 2

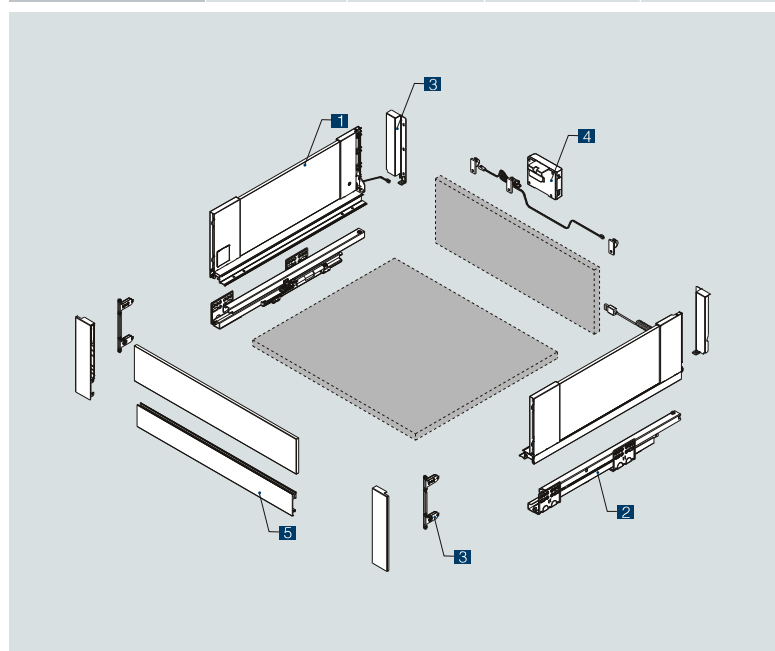


板厚 Board thickness: 16mm

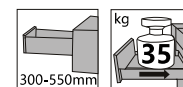


- 隐藏式全拉出缓冲抽屉
 - 表面颜色: 灰色、白色、黑色及其它颜色
 - 载重: 35kg
 - 无需工具, 抽屉可快速安装和拆卸
 - 静音系统, 滑轨运动顺畅
 - 三维调节, 上下(可调 ± 2mm)、左右(可调 ± 1.5mm)方向, 面板倾斜调节
 - 自闭功能, 平缓关闭, 抽屉关闭不受重量影响
 - 长度: 300-550mm
 - 针对面板无拉手的情形, 可选用内置反弹功能的CBZFT隐藏式反弹滑轨
 - **侧板可选不配灯光系统**
- Soft close concealed full extension drawer
 - Finish color: gray, white, black or various colors available
 - Dynamic load capacity: 35kg
 - Tool-free quick installation
 - Quiet system can guarantee the slides run smoothly without noise
 - 6-way adjustment: ± 2mm up and down, ± 1.5mm left and right, front panel tilt adjustment
 - Soft-closing function make the drawer close safely without effect of weight
 - Length: 300-550mm
 - For the panel without handle, can choose the CBZFT concealed slide with built-in push-open function
 - **Side panel optional without lighting system**

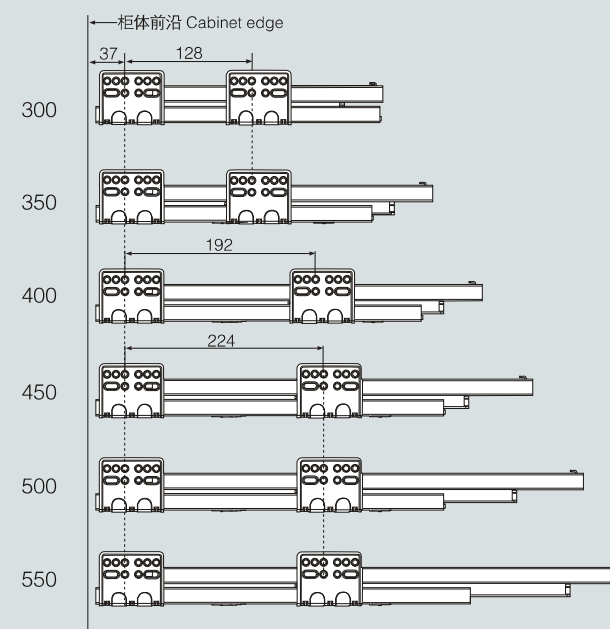
产品型号 Item No.	标称长度NL (mm) Nominal length	拉出长度 (mm) Travel length	最小柜深LT (mm) Min cabinet depth	包装 (套/箱) Packing (Set/Box)
CBZ167N-300DCG	300	269	325	4
CBZ167N-350DCG	350	319	375	4
CBZ167N-400DCG	400	369	425	4
CBZ167N-450DCG	450	419	475	4
CBZ167N-500DCG	500	469	525	4
CBZ167N-550DCG	550	519	575	4



- CBZ167-DCG 带灯玻璃侧板(左/右)+装饰盖 1付
CBZ167-DCG Glass side board with led light (L/R)+Cover 1Pair
可选配DCG带灯透明玻璃 / DCGT带灯超白玻璃 / CG透明玻璃 / CGT超白玻璃
Optional DCG illuminated clear glass / DCGT illuminated ultra-clear glass / CG clear glass / CGT ultra-clear glass
- 滑轨(左/右) 1付 (可选CBZ缓冲滑轨或CBZFT反弹滑轨)
Slides (L/R) 1Pair (Optional CBZ soft-closing slide or CBZFT Push-open slide)
- CBZ167 配件包(左/右) 1付
CBZ167 Fitting bag (L/R) 1Pair
- CBZ 电源配件包
CBZ Power fitting bag
侧板为DCG带灯透明玻璃或DCGT带灯超白玻璃配置电源包
Side panel with DCG DCG illuminated clear glass or DCGT illuminated ultra-clear glass come with power pack
- CBZ167 玻璃面板连接组件
CBZ167 Glass front panel connectors 1Set



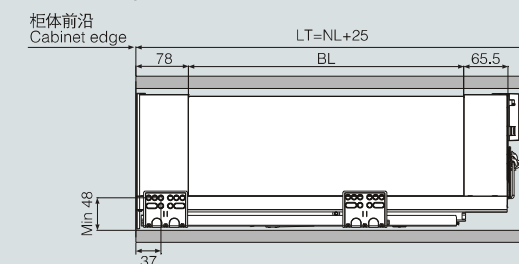
柜体滑轨安装孔尺寸 Hole pattern



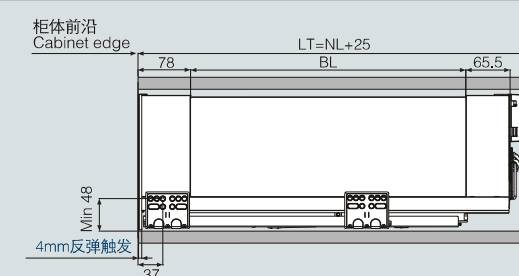
滑轨安装尺寸 Installation size

CBZ 缓冲滑轨 CBZ Soft-closing slide

LT: 最小柜深 Min cabinet depth NL: 标称长度 Nominal length
BL: 玻璃长度 Glass length

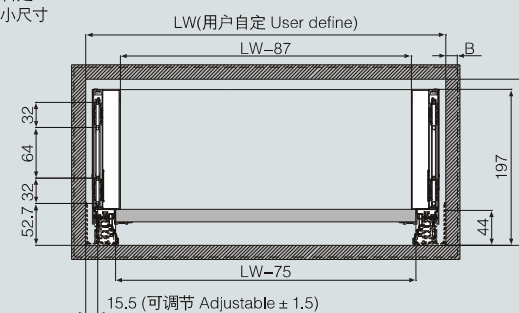


CBZFT 反弹滑轨 CBZFT Push-open slide



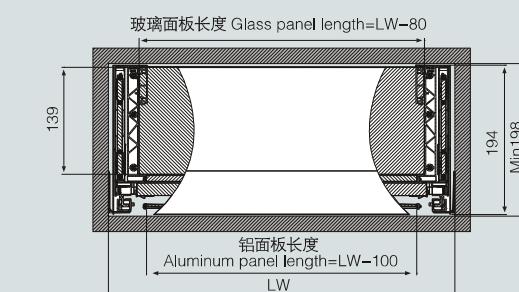
柜体所需空间 Space required

LW: 柜体净宽 Inside net width
B: 用户自定 User defines
Min: 最小尺寸

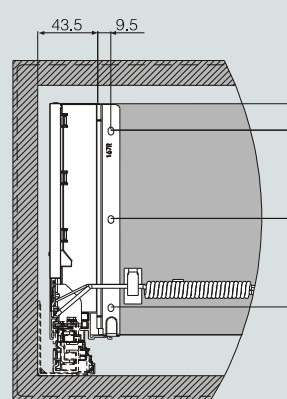


玻璃面板装配示意 Glass front panel assembly

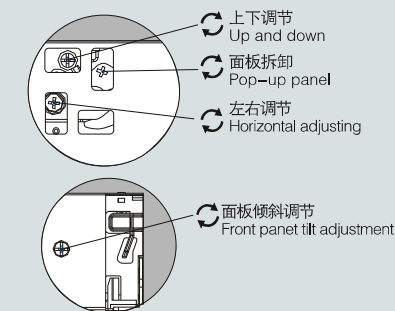
B/C/D: 用户自定 User defines



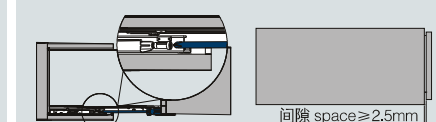
背板安装尺寸 Rear panel dimensions



调节机构 Adjustment mechanism



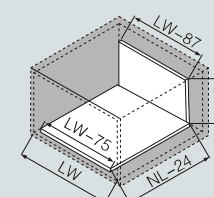
CBZFT 反弹滑轨可调节抽屉与面板的间隙
CBZFT Push-open slide space adjustment



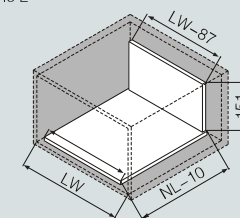
抽屉木板尺寸 Drawer board dimensions

LW: 柜体净宽 Inside net width NL: 标称长度 Nominal length

方式一 Style 1

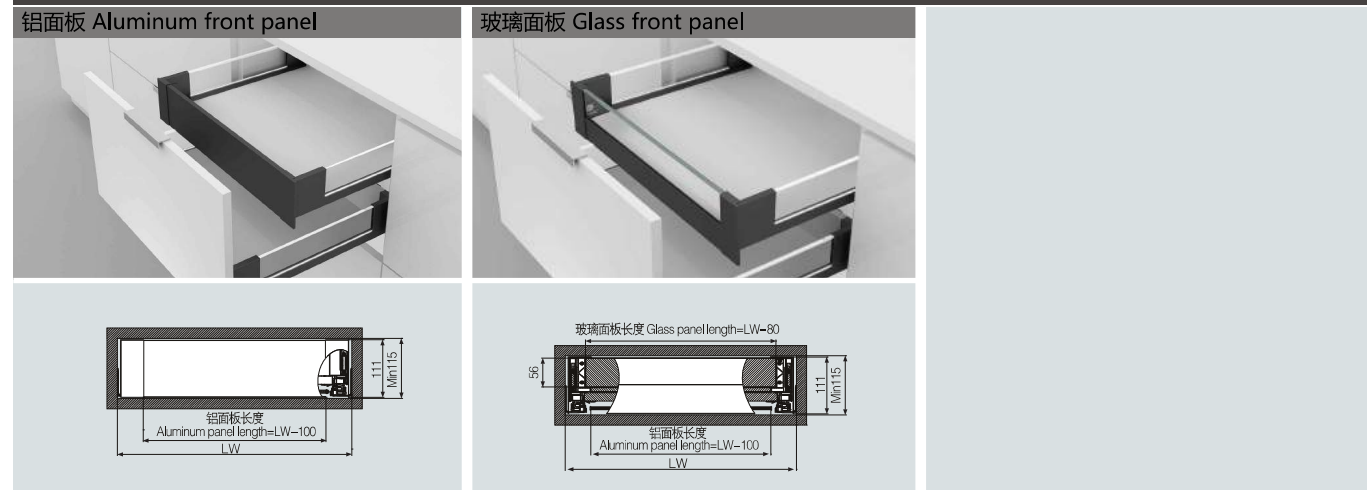


方式二 Style 2

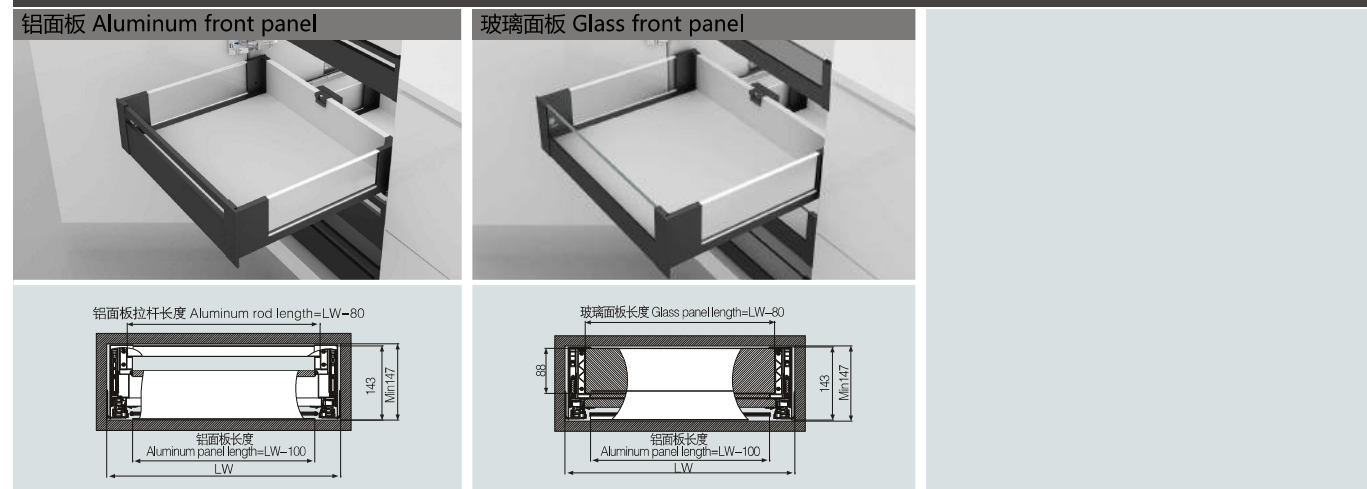


板厚 Board thickness: 16mm

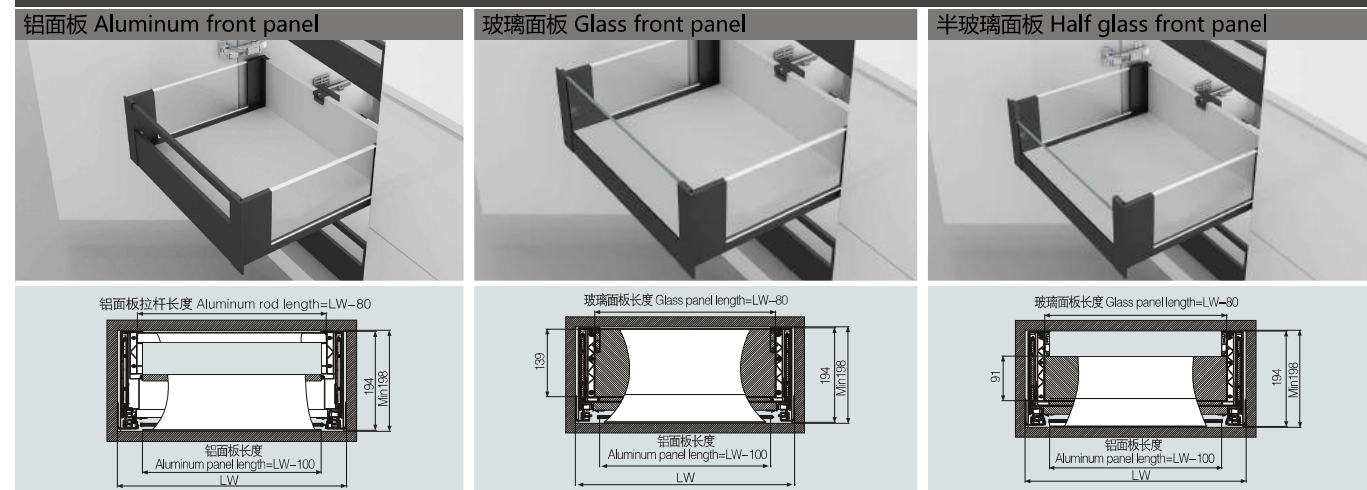
CBZ84N-DCG 超薄豪华灯光骑马抽屉-(内低抽) Slim Luxury Double Wall Drawer With Led Light -(Lower Inner Drawer)



CBZ116N-DCG 超薄豪华灯光骑马抽屉-(内中抽) Slim Luxury Double Wall Drawer With Led Light -(Medium Inner Drawer)



CBZ167N-DCG 超薄豪华灯光骑马抽屉-(内高抽) Slim Luxury Double Wall Drawer With Led Light -(High Inner Drawer)



电源组件装配示意图 Installation of power fittings

